



# CONTROLLER BACK2 OXY BAM

## Composition

- **Middle rings:** expanded mineral graphite with Nickel metal insert (V48ZN OXY)
- **Top & bottom rings:** expanded mineral graphite with Nickel metal insert (V48ZN OXY)

## Characteristics

These gaskets made of variable density expanded graphite with anti-extrusion rings are specifically designed for high-temperature applications on ball valve seats.

The CONTROLLER BACK2 OXY is configured to provide a compression of 10-20%, ensuring a high recovery capability.

### Reference certificate:

- ZV48ZN OXY - no. 2-1948 2014E

## Applications

Gaskets ideal for ball valves intended for oxygen service, covering a wide range of pressures up to Class 2500 psi.

Expanded mineral graphite can operate over the entire pH range, at very low as well as high temperatures.

For applications with oxygen concentration < 100% and for non-oxidizing applications, the following limitations and exclusions must be considered:

- With mildly oxidizing agents, hot air and combustion gases, the temperature must be limited to 450°C.
- With non-oxidizing agents, the maximum continuous operating temperature is 600°C, with a peak limit for short exposures of 650°C.
- Graphite is not compatible with strong oxidizing agents.
- Graphite is suitable for cryogenic applications and oxygen service, with temperature limitations depending on concentration.
- The metallic insert must be compatible with the service fluid.

## Tech Data

Maximum Temperature °C	Maximum Oxygen Pressure bar
up to 60	430
>60 to 280	250

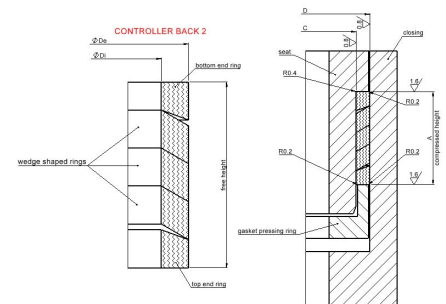
- Never use the product at its maximum rated temperature and pressure. Consult the manufacturer for further information.
- The dimensional tolerances of the molded products refer to the Carrara S.p.A. standard, unless otherwise agreed.



## CONTROLLER BACK2 OXY BAM

The CONTROLLER BACK OXY gasket series is BAM certified and designed to ensure reliable sealing of ball valve seats.

CONTROLLER BACK2 OXY set is made of variable density expanded graphite with Nickel metal insert and with anti-extrusion rings.



The information provided in this publication, as well as that supplied to users in other forms, is based on our experience and communicated according to the best knowledge available. However, since numerous factors beyond our knowledge and control may influence the use of the products, no warranty, explicit or implicit, is given regarding such content. The operating limits indicated do not constitute confirmation that these values can be applied simultaneously. Avoid using the product at the maximum temperature and pressure limits. The maximum temperature is sustainable only for short periods under specific conditions. Specifications may be changed without notice. The images in the DS may not exactly represent the product, its color and/or marking.

**CARRARA**  
GLOBAL SEALING SOLUTIONS

**Carrara S.p.A.**,  
Via Provinciale 1/E - 25030 Adro - BS - Italia  
tel. +39 030 7451121 [carrara.it](http://carrara.it) - [info@carrara.it](mailto:info@carrara.it)